

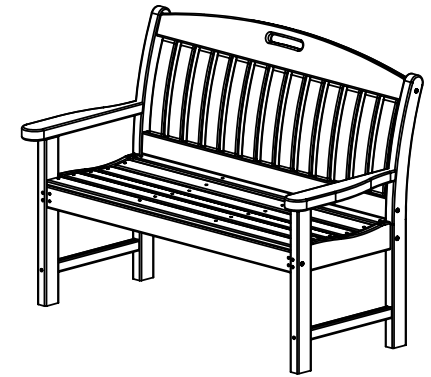
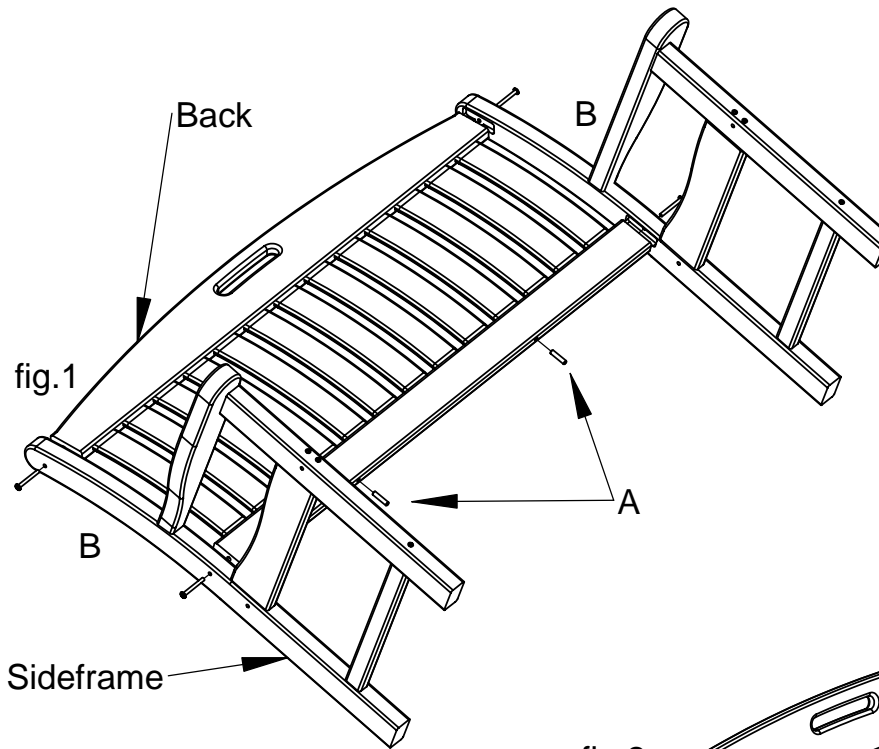


## Assembly Instructions

Model: NB48 NB60

### Step 1

Lay back assembly on the floor  
Attach the side frames with (4) 2 1/4" bolts  
fig.1



### Step 2

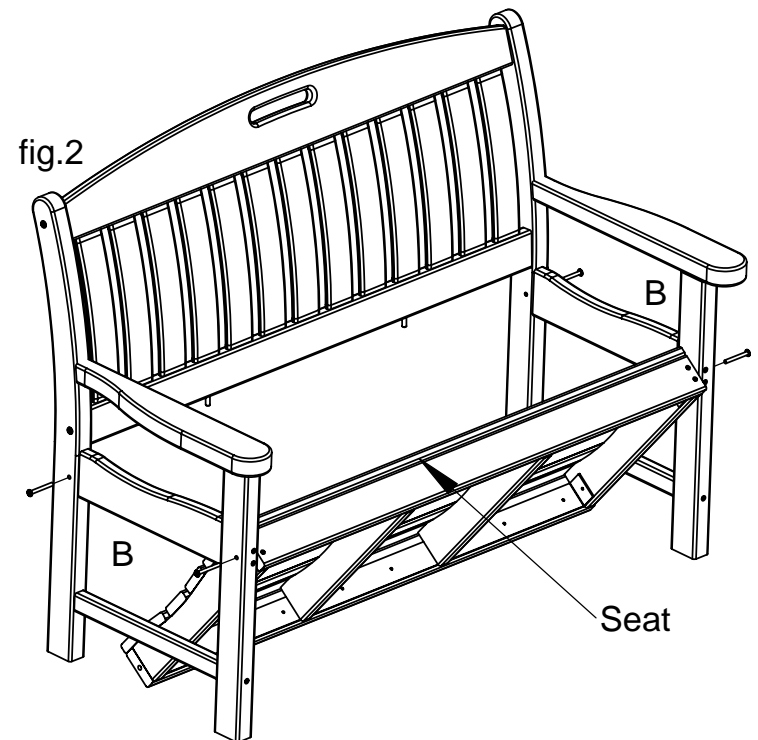
Insert (2) pins into pre-drilled holes  
on the back assembly. fig.1

### Step 3

Set bench upright. First, attach the front  
part of the seat using (2) 2 1/4" bolts.  
fig.2

### Step 4

Push the rear part of the seat up into  
the pins located on the back assembly.  
Attach the rear of the seat using  
(2) 2 1/4" bolts.



\* Tighten all bolts at this time

Qty.	Description
2	A - Pin
8	B - 2 1/4" bolt

**TOOLS NEEDED**  
5/32" HEX KEY: INCLUDED



All bolts 1/4-20

5/11/06