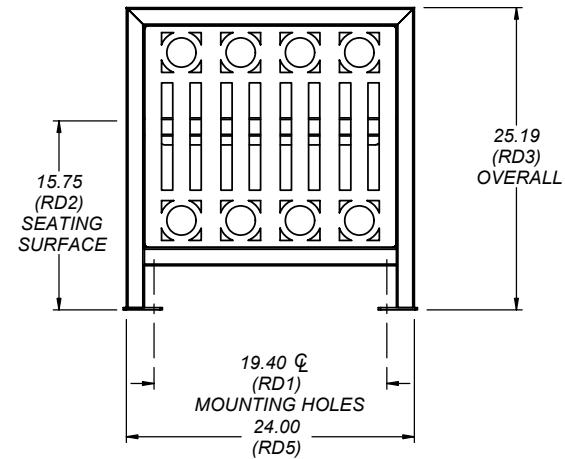
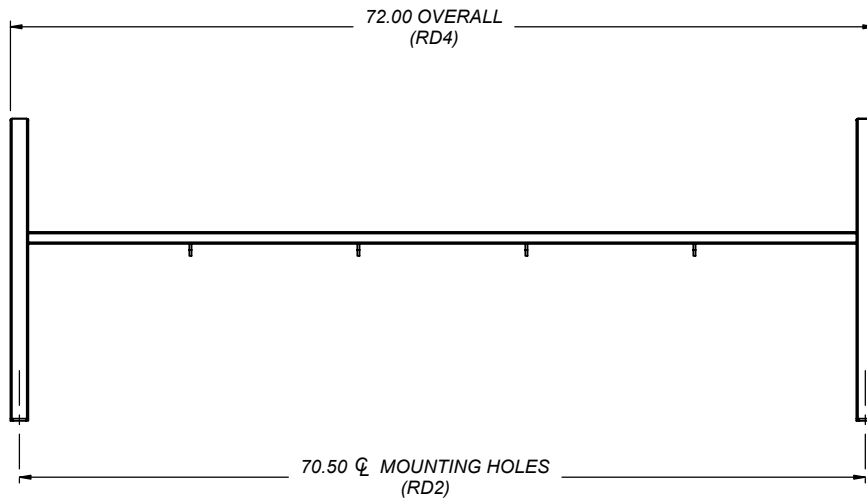
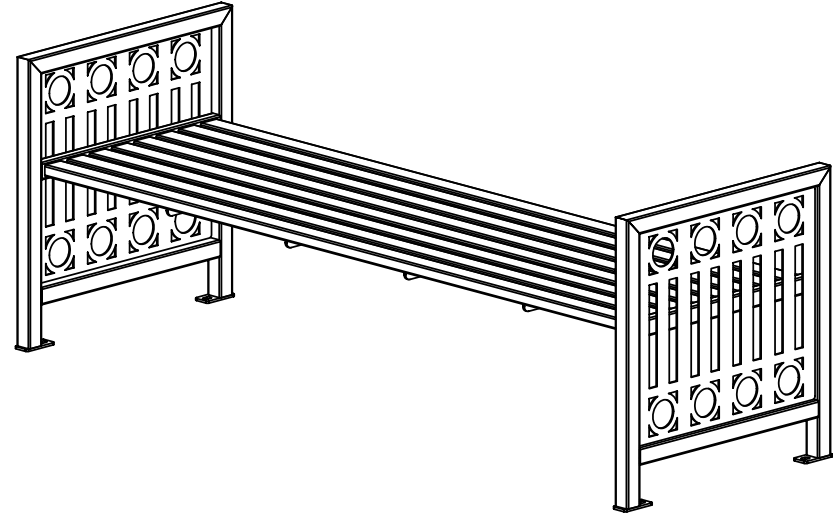


# ASSEMBLY INSTRUCTIONS AND SPECIFICATIONS

## MATERIAL SPECIFICATIONS

FRAME - 1-1/2" x .065" SQ HRPO TUBE  
SEATING SURFACE - 1" x 2" x .065" HRPO TUBE  
PANEL INSERT - 11 GA HR  
MOUNTING PLATES - 7 GA HR



**DESIGNER BENCH, 6 FT., BACKLESS, ARCADIA**  
**MODEL:71157800**