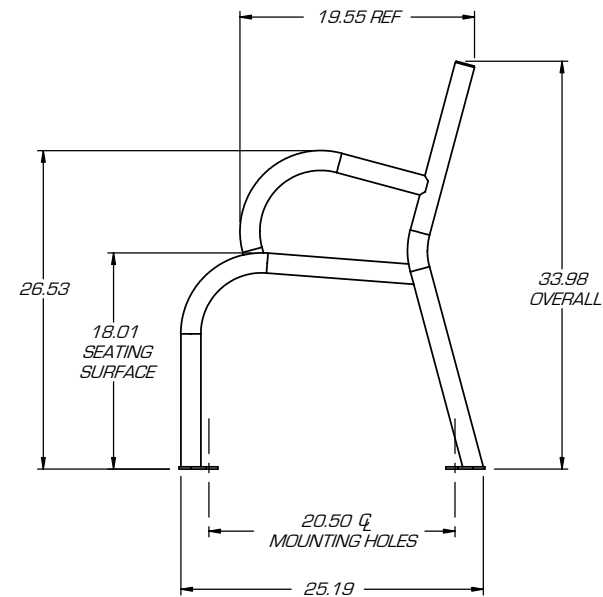
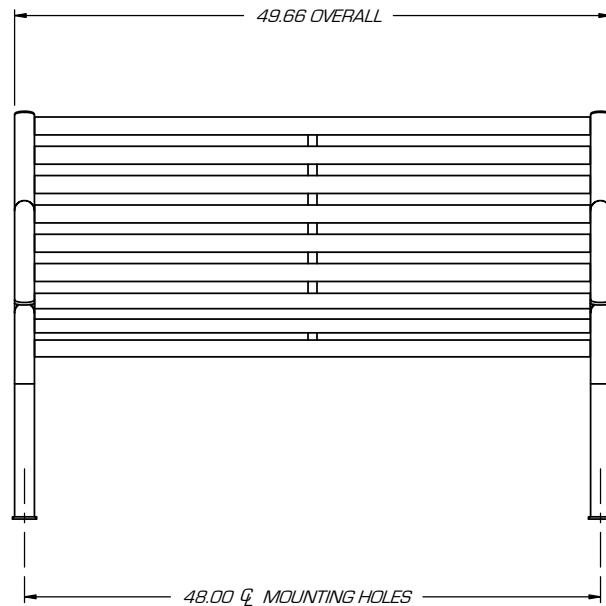
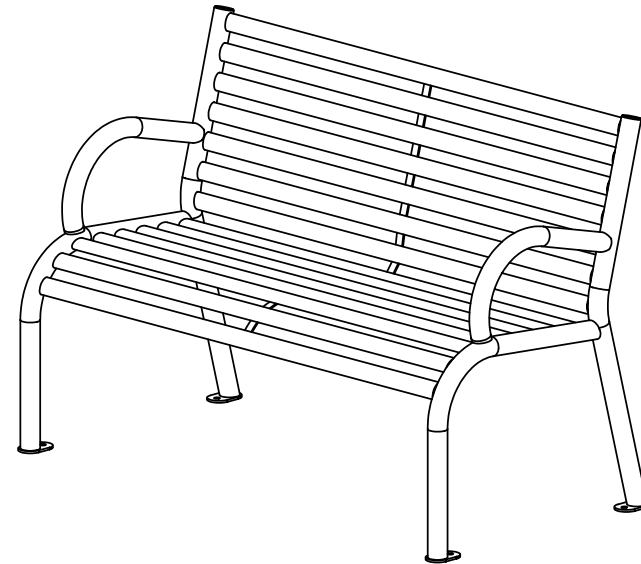


ASSEMBLY INSTRUCTIONS

AND SPECIFICATIONS

MATERIAL SPECIFICATIONS
 FRAME - ϕ 1.66 x .095 ILG TUBE
 MOUNTING PLATES - 7 GA GALV
 SEATING SURFACE - .88 x 1.53 x .065 OVAL CREW TUBE



CHELSEA BENCH 4 FT

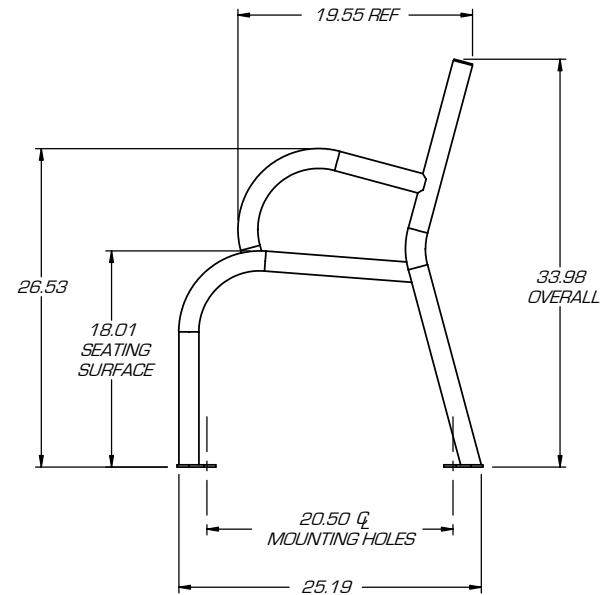
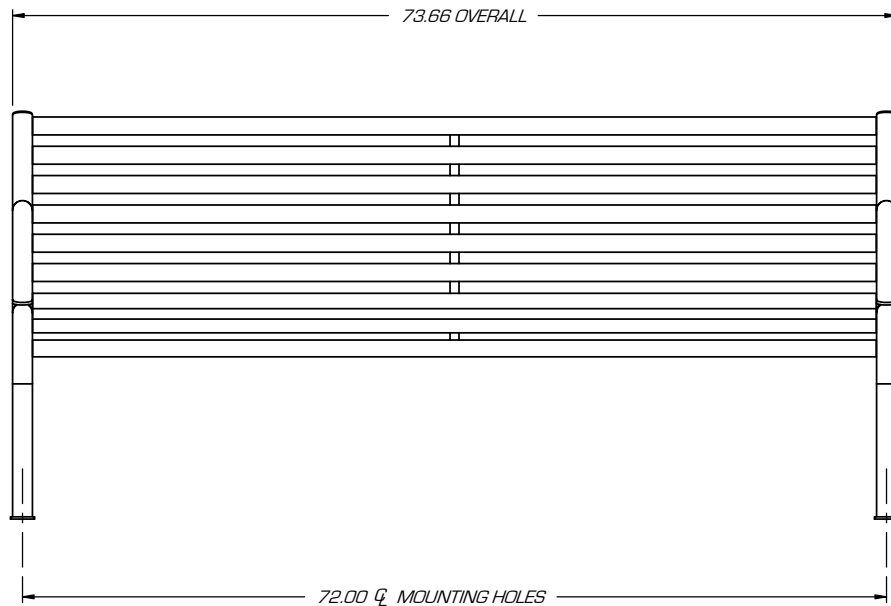
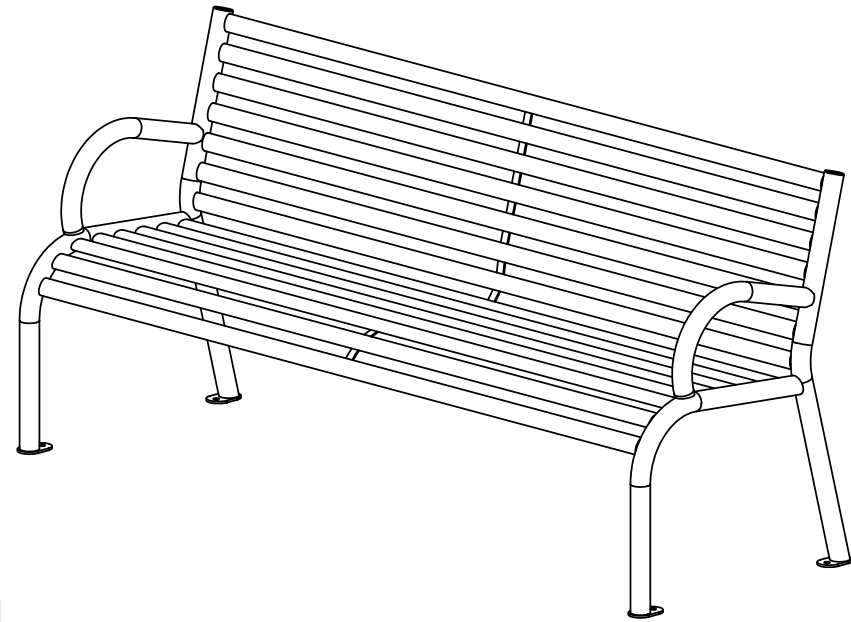
MODEL: 71149900

ITEM NO.	DESCRIPTION	PART NO.	QTY.
1	CHELSEA BENCH WELD, 4 FT	51152600	1

UNLESS OTHERWISE SPECIFIED, DIMENSIONS ARE IN INCHES

ASSEMBLY INSTRUCTIONS AND SPECIFICATIONS

MATERIAL SPECIFICATIONS
 FRAME - ϕ 1.66 x .095 ILG TUBE
 MOUNTING PLATES - 7 GA GALV
 SEATING SURFACE - .88 x 1.53 x .065 OVAL CREW TUBE



CHELSEA BENCH 6 FT

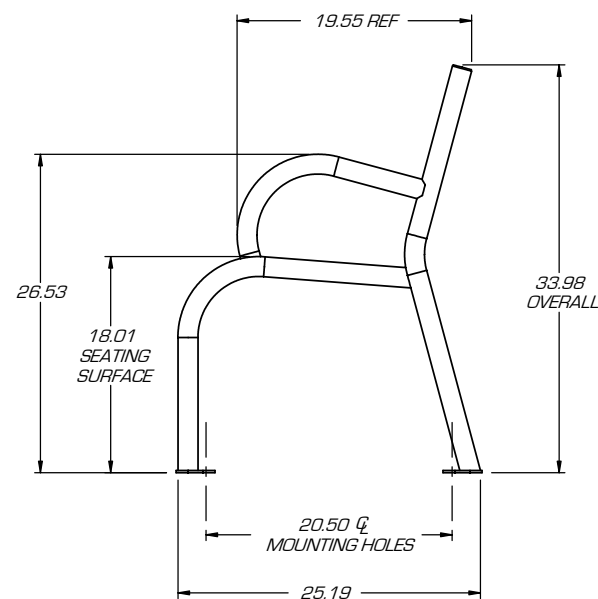
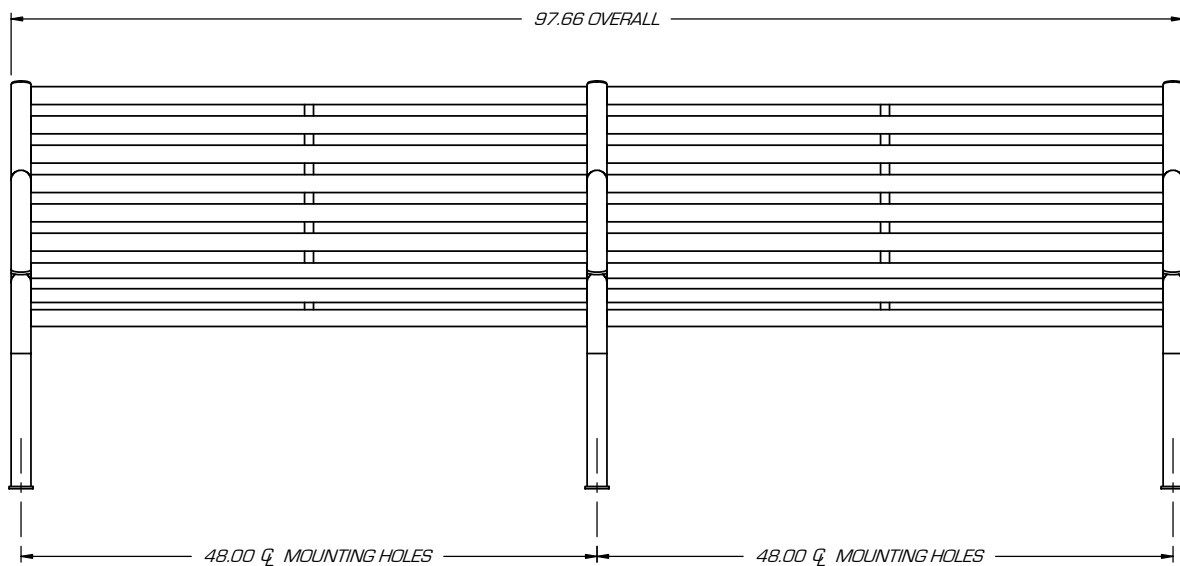
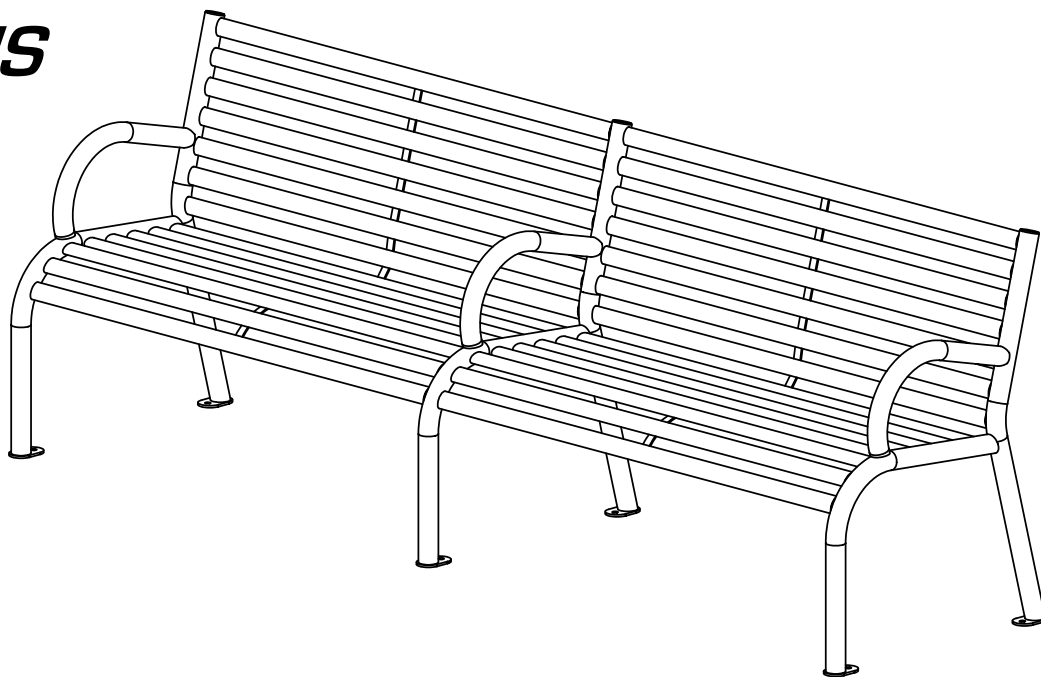
MODEL: 71150000

ITEM NO.	DESCRIPTION	PART NO.	QTY.
1	CHELSEA BENCH WELD, 6 FT	51152700	1

UNLESS OTHERWISE SPECIFIED, DIMENSIONS ARE IN INCHES

ASSEMBLY INSTRUCTIONS AND SPECIFICATIONS

MATERIAL SPECIFICATIONS
 FRAME - ϕ 1.66 x .095 ILG TUBE
 MOUNTING PLATES - 7 GA GALV
 SEATING SURFACE - .88 x 1.53 x .065 OVAL CREW TUBE



CHELSEA BENCH 8 FT W/ CENTRE ARM

MODEL: 71150100

ITEM NO.	DESCRIPTION	PART NO.	QTY.
1	CHELSEA BENCH WELD, 8 FT	51152800	1

UNLESS OTHERWISE SPECIFIED, DIMENSIONS ARE IN INCHES